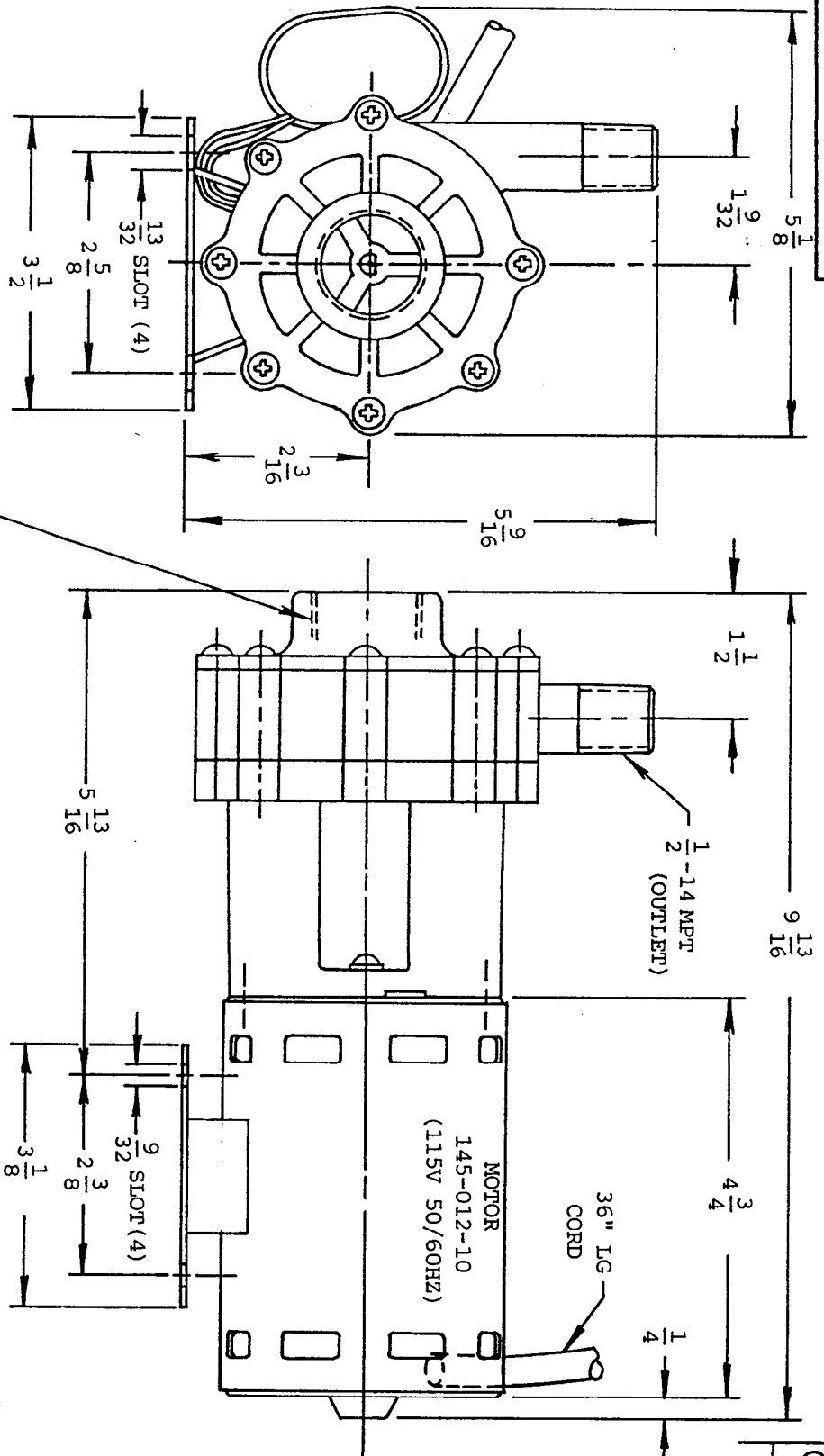


© REDRAWN
10-4-93 J.T.P.



MODEL AC-4C-MD ASSEMBLY No. 145-010-01 (115V)

MARCH MFG. INC.
1819 PICKWICK AVE. GLENVIEW, IL.

PART NAME PUMP ASSEMBLY AC-4C-MD-115V

MOTOR: FASCO

HEAT TRMT. SCALE 1/2"=1" QTY. 1

FINISH DRAWN JTI/HZ DATE 10-4-93

UNLESS OTHERWISE NOTED CHECKED
TOLERANCE ON FRACTIONS ± APPROVED

PART NUMBER 145 SERIES

THIS DOCUMENT DISCLOSED SUBJECT MATTER, IN WHICH MARCH MFG. INC. HAS PROPRIETARY RIGHTS, NEITHER RECEIPT NOR POSSESSION THEREOF CONFERS OR TRANSFERS ANY RIGHT TO REPRODUCE OR DISCLOSE THE DOCUMENT, ANY PART THEREOF, ANY INFORMATION CONTAINED THEREIN, OR ANY PHYSICAL ARTICLE OR DEVICE OR TO PRACTICE ANY METHOD OR PROCESS, EXCEPT BY WRITTEN PERMISSION FROM OR WRITTEN AGREEMENT WITH MARCH MFG. INC.