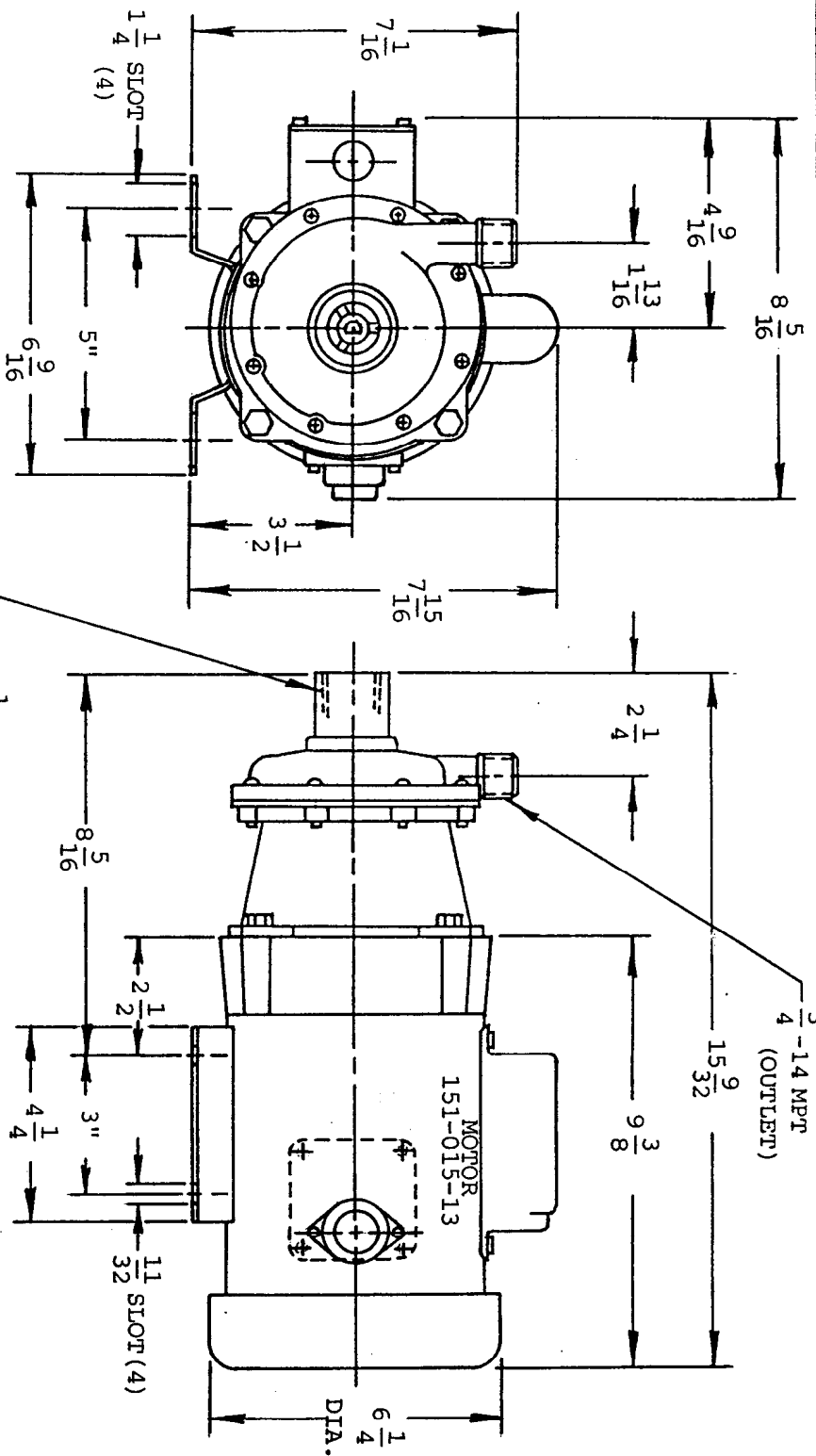


REDRAWN
10-27-93 J.P.



QTY. USED ON ASSEM.

MARCH MFG. INC.

1819 PICKWICK AVE. GLENVIEW, IL.

PART NAME PUMP ASSEMBLY TE-5.5S-MD-1PH
TE-5.5H-MD-1PH

MOTOR: BALDOR 1/3 HP - 1 PHASE - TEFC - 48 FR
115/230V 50/60HZ

FINISH UNLESS OTHERWISE NOTED
TOLERANCE ON FRACTIONS ±
TOLERANCE ON DECIMALS ±

| | | | | | |
|-------|---------|-----------|----------|------|----------|
| SCALE | 1/4"=1" | QTY. REQ. | 1 | DATE | 10-27-93 |
| DRAWN | JT/HZ | CHECKED | APPROVED | | |

PART NUMBER 151 SERIES

MODEL _____ ASSEMBLY No. _____

(ST'LESS) TE-5.5S-MD-1PH 151-002-01
(HASTELLOY) TE-5.5H-MD-1PH 151-002-02

THIS DOCUMENT DISCLOSES SUBJECT MATTER IN WHICH MARCH MFG. INC. HAS PROPRIETARY RIGHTS. NEITHER RECEIPT NOR POSSESSION THEREOF CONFERS OR TRANSFERS ANY RIGHT TO REPRODUCE OR DISCLOSE THE DOCUMENT, ANY PART THEREOF, ANY INFORMATION CONTAINED THEREIN, OR ANY PHYSICAL ARTICLE OR DEVICE OR TO PRACTICE ANY METHOD OR PROCESS, EXCEPT BY WRITTEN PERMISSION FROM OR WRITTEN AGREEMENT WITH MARCH MFG. INC.