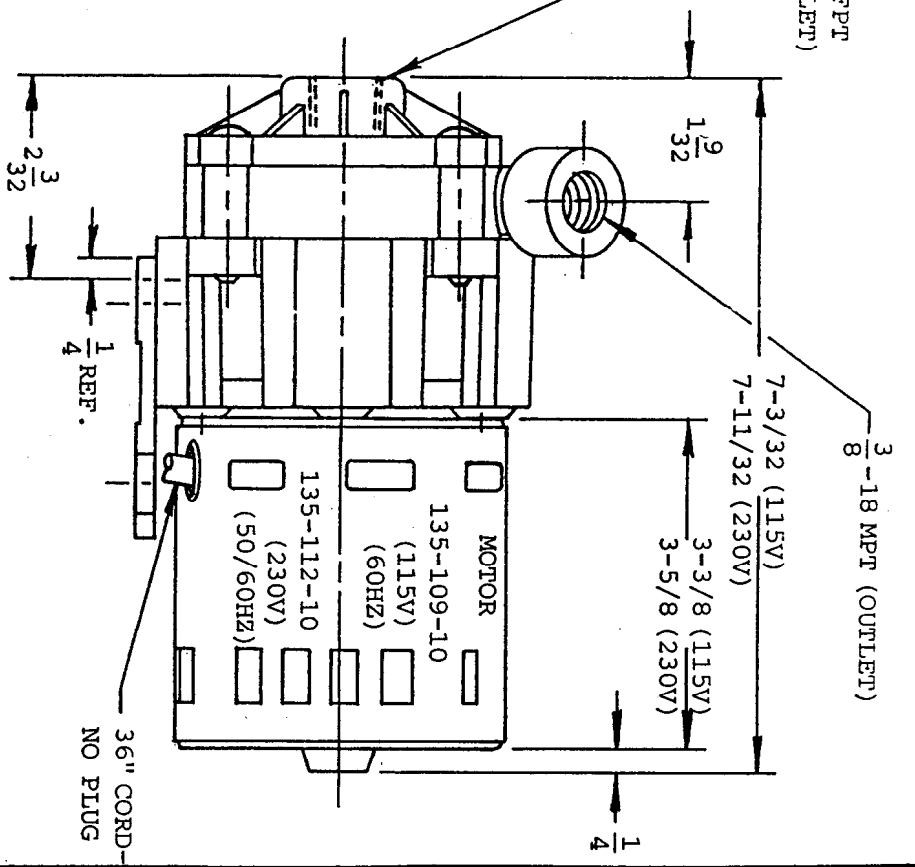
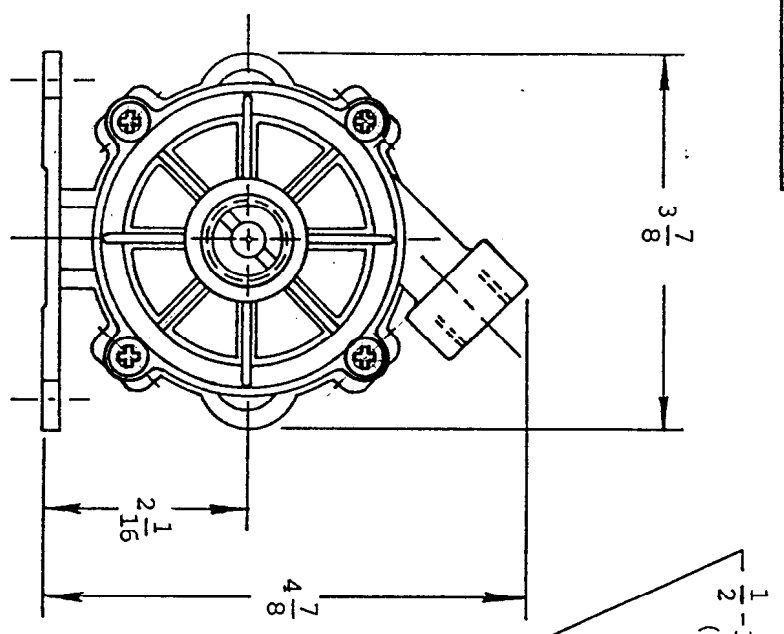
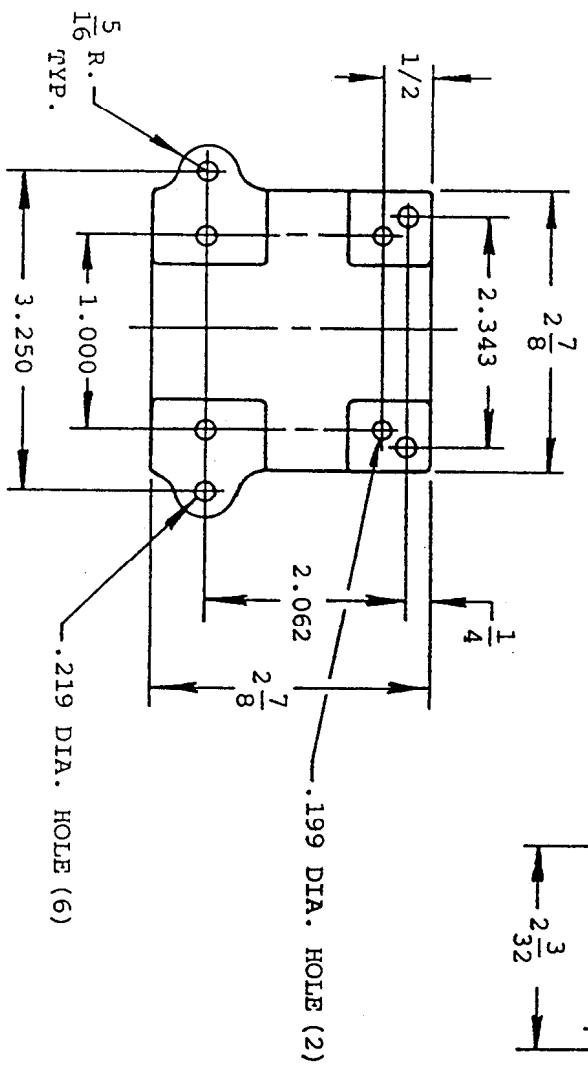


THIS DOCUMENT DISCLOSES SUBJECT MATTER IN WHICH MARCH MFG. INC. HAS PROPRIETARY RIGHTS. NEITHER RECEIPT NOR POSSESSION THEREOF CONFERS OR TRANSFERS ANY RIGHT TO REPRODUCE OR DISCLOSE THE DOCUMENT, ANY PART THEREOF, ANY INFORMATION CONTAINED THEREIN, OR ANY PHYSICAL ARTICLE OR DEVICE OR TO PRACTICE ANY METHOD OR PROCESS, EXCEPT BY WRITTEN PERMISSION FROM OR WRITTEN AGREEMENT WITH MARCH MFG. INC.



ASSEMBLY No.
 135-174-01 (115V 60HZ)
 135-174-02 (230V 50/60HZ)

MARCH MFG. INC.
 1819 PICKWICK AVE.
 GLENVIEW, IL.

PART NAME PUMP ASSEMBLY MDXT		QTY. 1	
MOTOR: FASCO		REQ. 1	
HEAT TRMT.		DATE 7-30-93	
FINISH		DRAWN JT/HZ	
UNLESS OTHERWISE NOTED		CHECKED	
TOLERANCE ON FRACTIONS ± 1/64		APPROVED	
TOLERANCE ON DECIMALS ± .005			
PART NUMBER	135 SERIES		

- (E) REDRAWN
7-30-93 J.T.
- (F) WING NUTS (4)
REMOVED.
ASSEMBLY NOW USES
(4) SCREWS.
3-13-96 J.T.